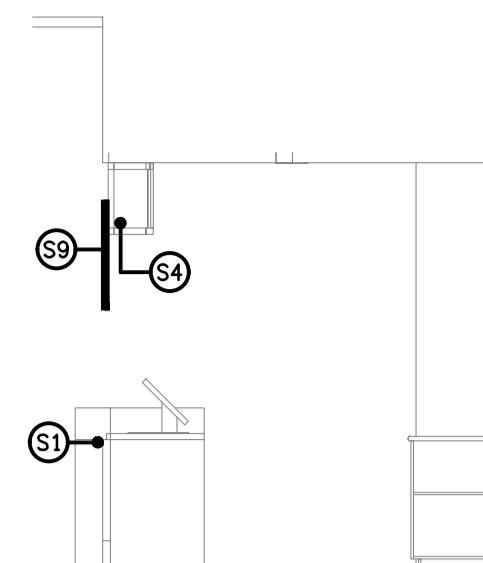
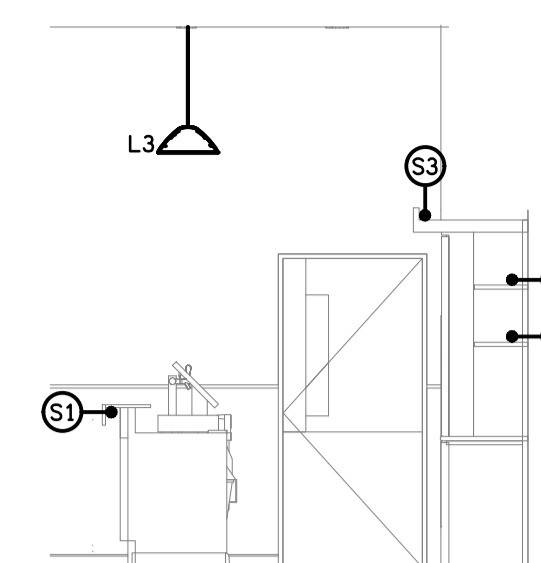


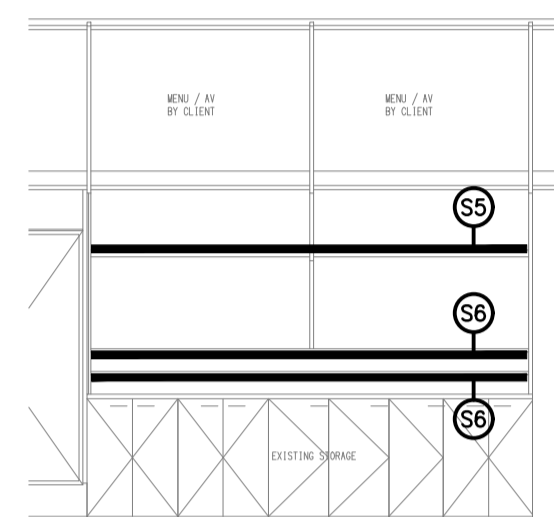
DETAIL A
SERVERY / BISTRO BAR ELEVATION
SCALE 1: 50



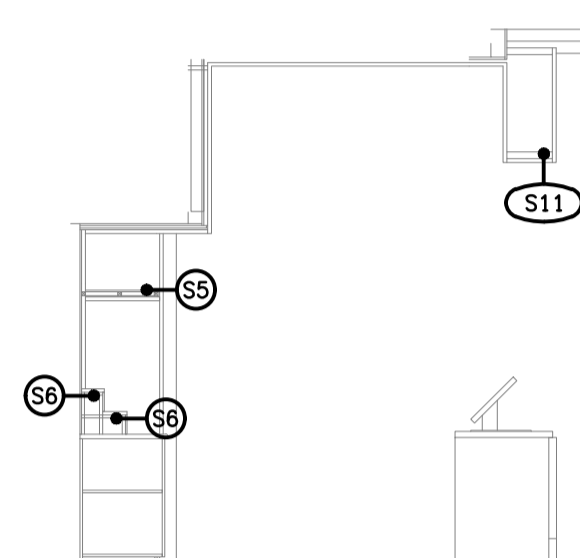
DETAIL B
SERVERY SECTION
SCALE 1: 50



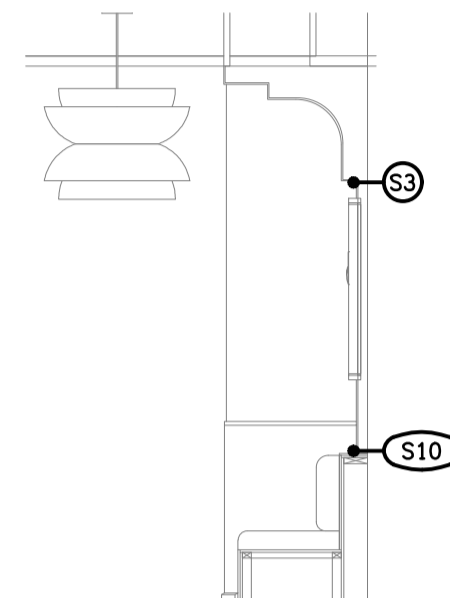
DETAIL C
BISTRO SECTION
SCALE 1: 50



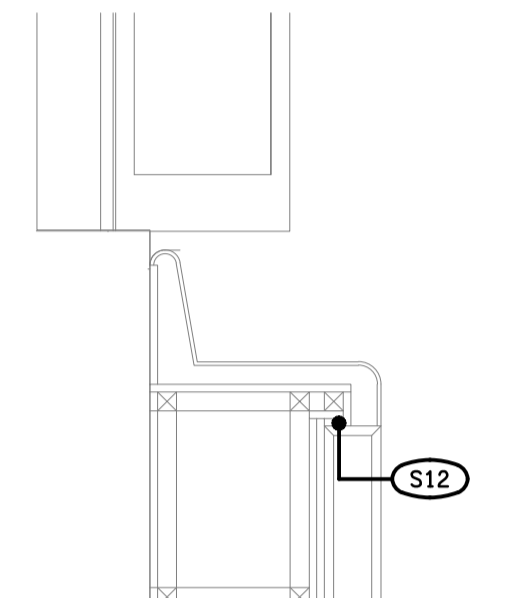
DETAIL D
SPORTS BAR ELEVATION
SCALE 1: 50



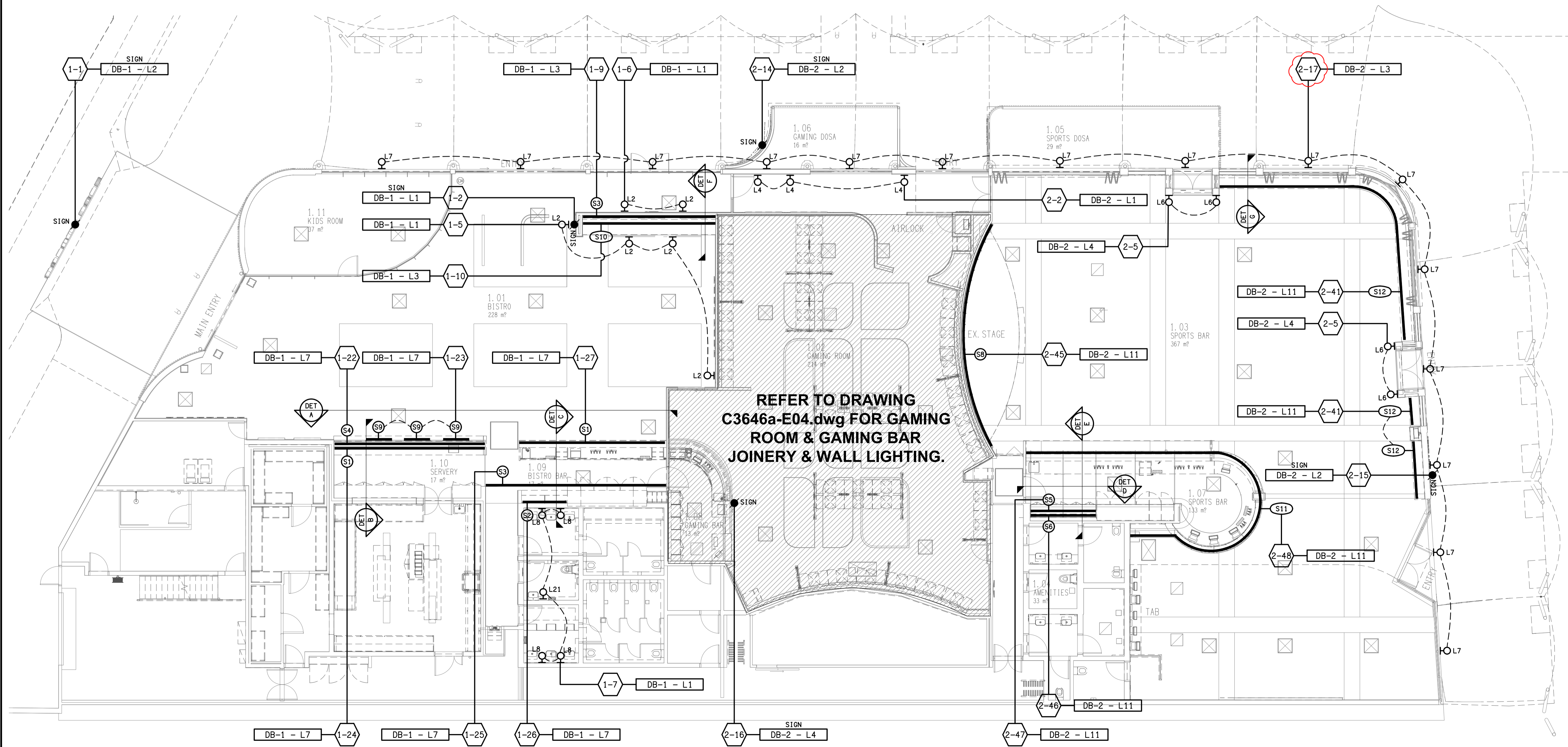
DETAIL E
SPORTS BAR SECTION
SCALE 1: 50



DETAIL F
BISTRO BANQUET SECTION
SCALE 1: 50



DETAIL G
SPORTS BAR BANQUET SECTION
SCALE 1: 20



D	CONSTRUCTION	20/05/2026
REV:	DESCRIPTION:	DATE:

ELECTRICAL DESIGN GROUP
ELECTRICAL BUILDING SERVICES CONSULTANTS

BRISBANE: P.O. Box 15 Sherwood Qld 4075
Phone: (07) 3278 4375
Email: brisbane@edg.net.au
Web: www.edg.net.au

ELECTRICAL DESIGN GROUP BRISBANE / TRADING AS:
PTY LTD / ELECTRICAL DESIGN
ACN 092 710 793 / GROUP

PROJECT:
**CLUB TAVERN
CABOOLTURE**

SITE ADDRESS:
16 MATTHEW TERRACE, CABOOLTURE

SCALE: 1:100 UNO SHEET SIZE: AT A1

DRAWING TITLE:
**ELECTRICAL SERVICES
JOINERY & WALL
LIGHTING PLAN**

PROJECT NO. DRAWING NO. REVISION:
C3646a E06 D